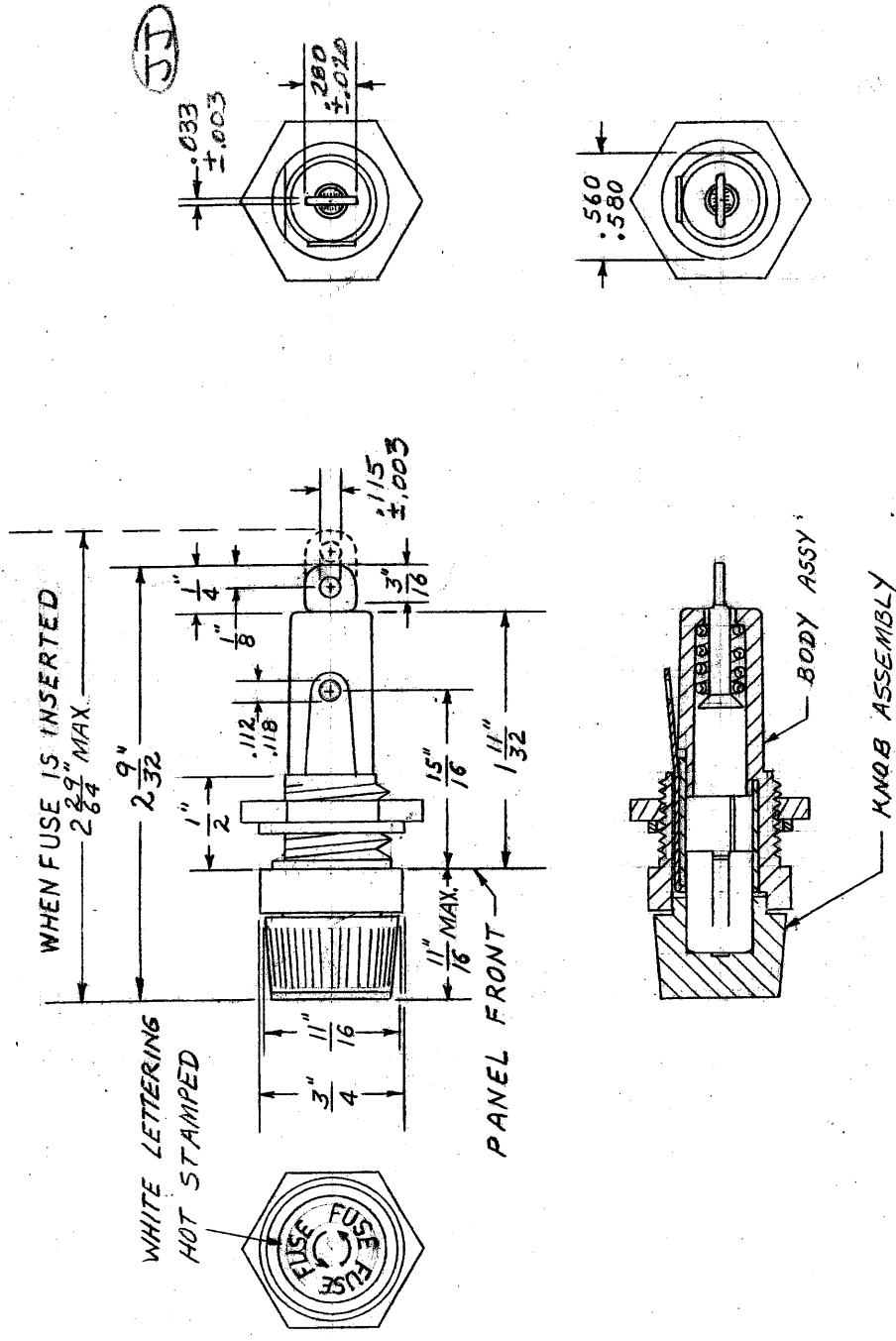


CONFIDENTIAL: THIS DRAWING OR MATERIAL IS SUBMITTED TO YOU WITH THE CONFIDENCE THAT IT WILL BE USED ONLY FOR YOUR INFORMATION ON APPLICATION ENGINEERING STUDIES AND SHALL NEVER BE USED IN ANY MANNER DETRIMENTAL TO OUR INTEREST.

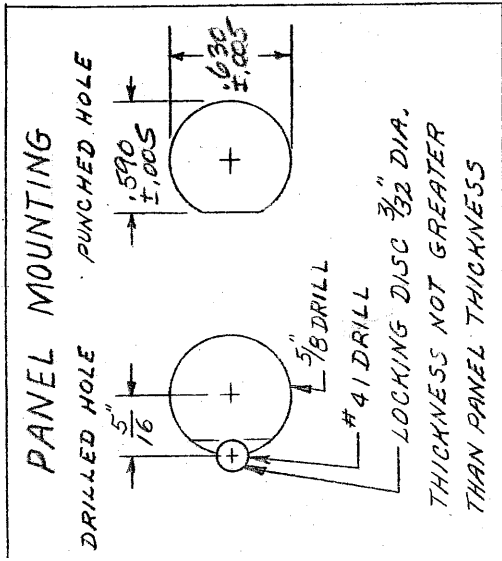
DATE 8-9-00		NO. HCM	
TITLE FUSEHOLDER			
SUP. NO. HCM		DATED 1-8-97	
DWG. JM	CK. [Signature]	CHANGE LP	
ENG. [Signature]	MFG.	N00122	
Bussmann Division Cooper Industries St. Louis, MO 63178			
DISTRIBUTION			56 1



DESIGNED FOR 1/4" LONG,  
1/4" AND 9/32" DIA. FUSES  
KNOB WILL RETAIN 9/32" DIA. FU  
FUSEHOLDER DESIGNED TO  
WITHSTAND STAND OFF  
VOLTAGE OF 2250 VOLTS  
60 CYCLES PER SECOND  
AT SEA LEVEL

PAGE 1

CAP - ALBALOY PLATED.  
END TERMINAL - TIN PLATED.  
NUT - ZINC PLATED  
SOCKET - TIN PLATED.  
SPRING - NO PLATING  
SIDE TERMINAL, BRIGHT  
TIN PLATED.



+ 1/64" TOLERANCE ON ALL DIMENSIONS  
NOT OTHERWISE MARKED

FURNISH IN BULK  
WASHER #9350  
HEX NUT #9351  
BODY MARKING  
BUSS  
HCM  
18A  
250V

II